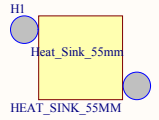


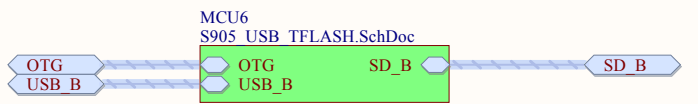
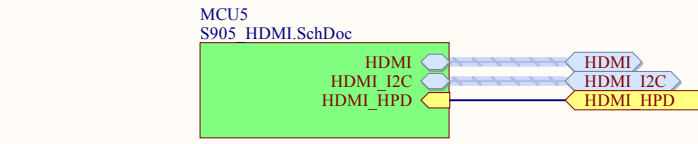
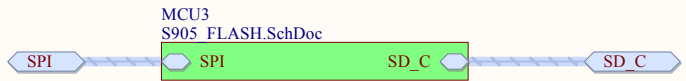
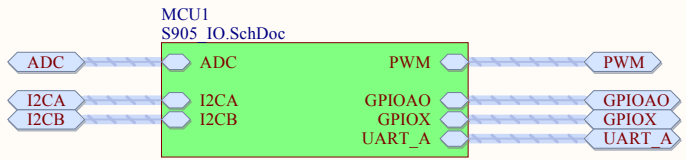
Mounting Holes

- MH1 MOUNTING HOLE 3MM
- MH2 MOUNTING HOLE 3MM
- MH3 MOUNTING HOLE 3MM
- MH4 MOUNTING HOLE 3MM

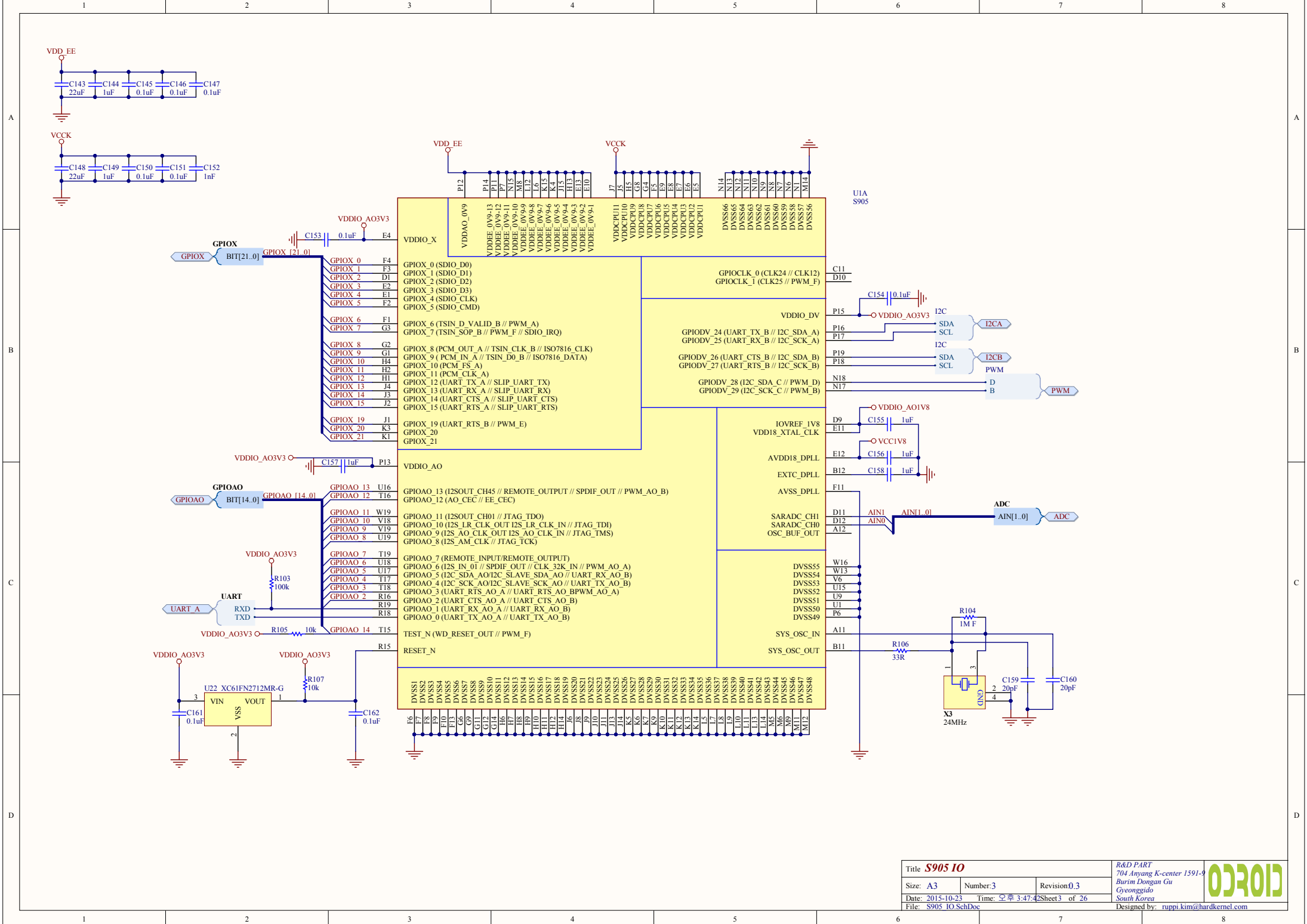
Heat Sink

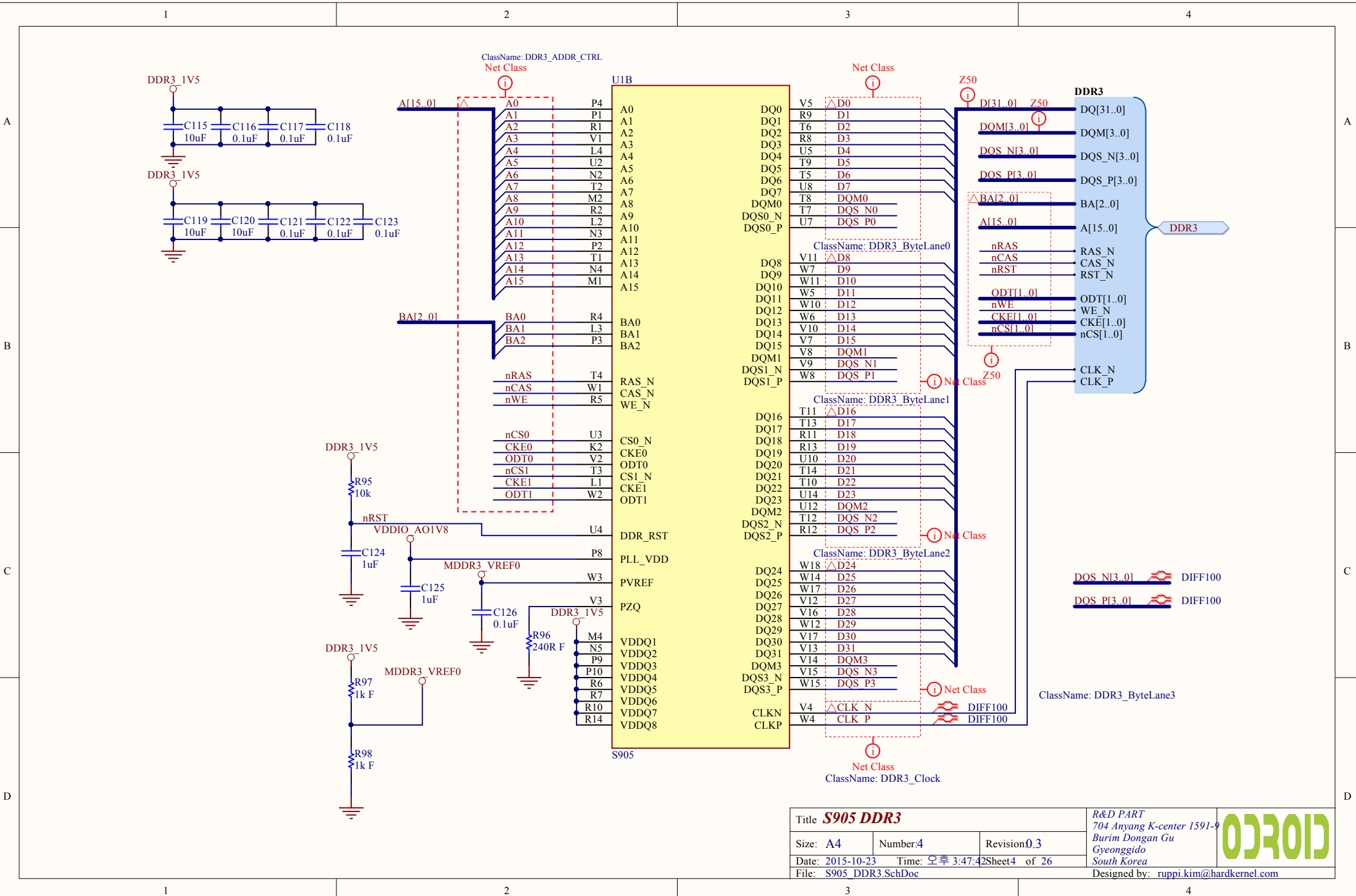


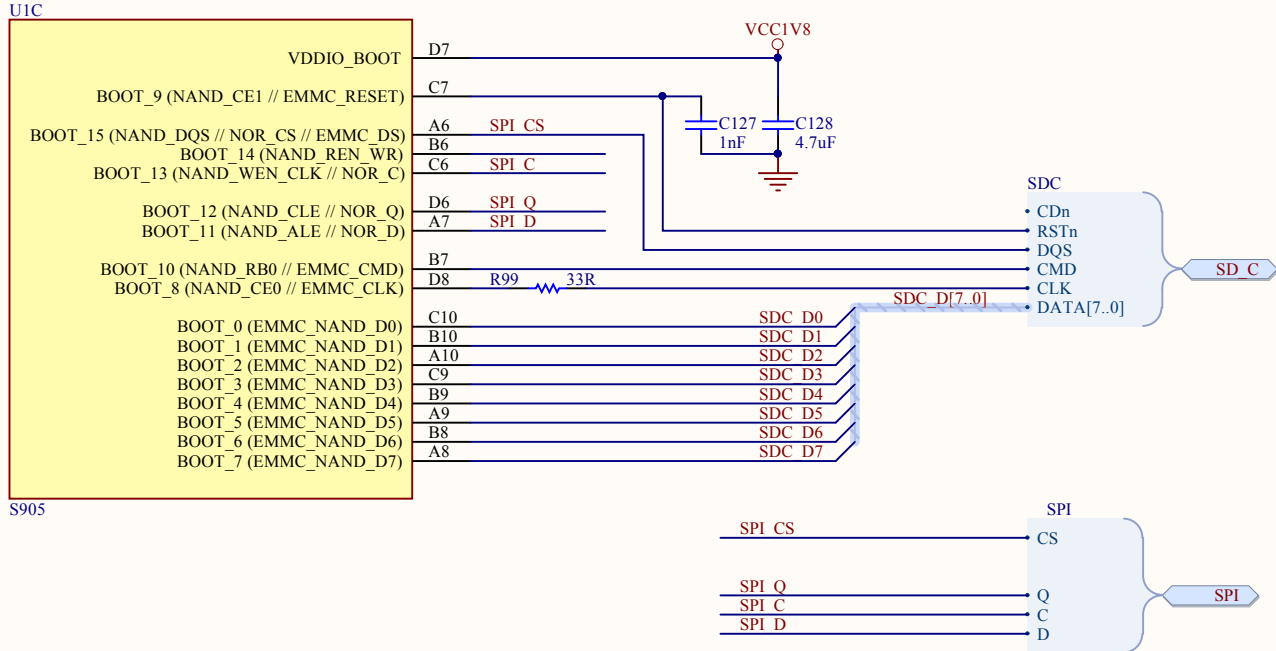
GPIOY.BIT1	GPIOY.BIT0	Revision
0	0	0.1
0	1	0.2
1	0	0.3
1	1	0.4



Title S905			Hardkernel Co.,LTD. 475-1 Mananro Manangu, Anyang City Gyeonggido South Korea	
Size: A4	Number:2	Revision:0.1		
Date: 2015-10-23	Time: 오후 3:47:42		Sheet2 of 26	
File: S905.SchDoc			Designed by: ruppi.kim@hardkernel.com	

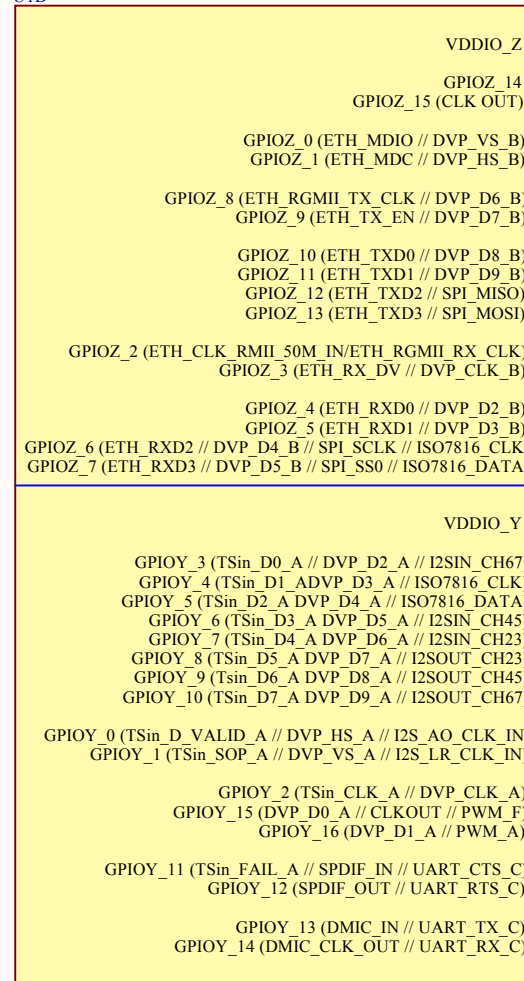




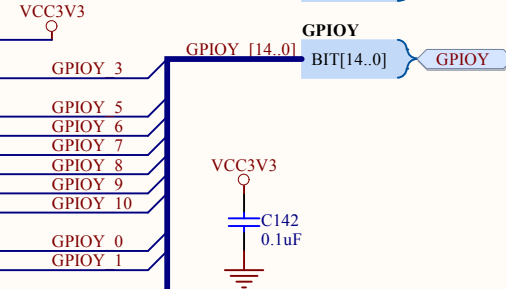
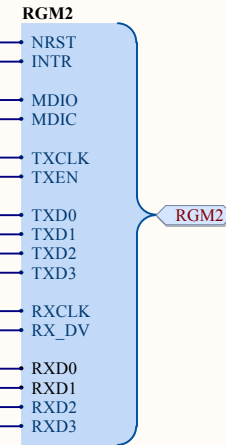
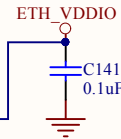


Title S805 FLASH			R&D PART	
Size: A4	Number:5	Revision:0.3	704 Anyang K-center 1591-9	
Date: 2015-10-23	Time: 오후 3:47:42	Sheet 5 of 26	Burim Dongan Gu	
File: S905_FLASH.SchDoc			Gyeongdo	
			South Korea	
			Designed by: ruppi.kim@hardkernel.com	

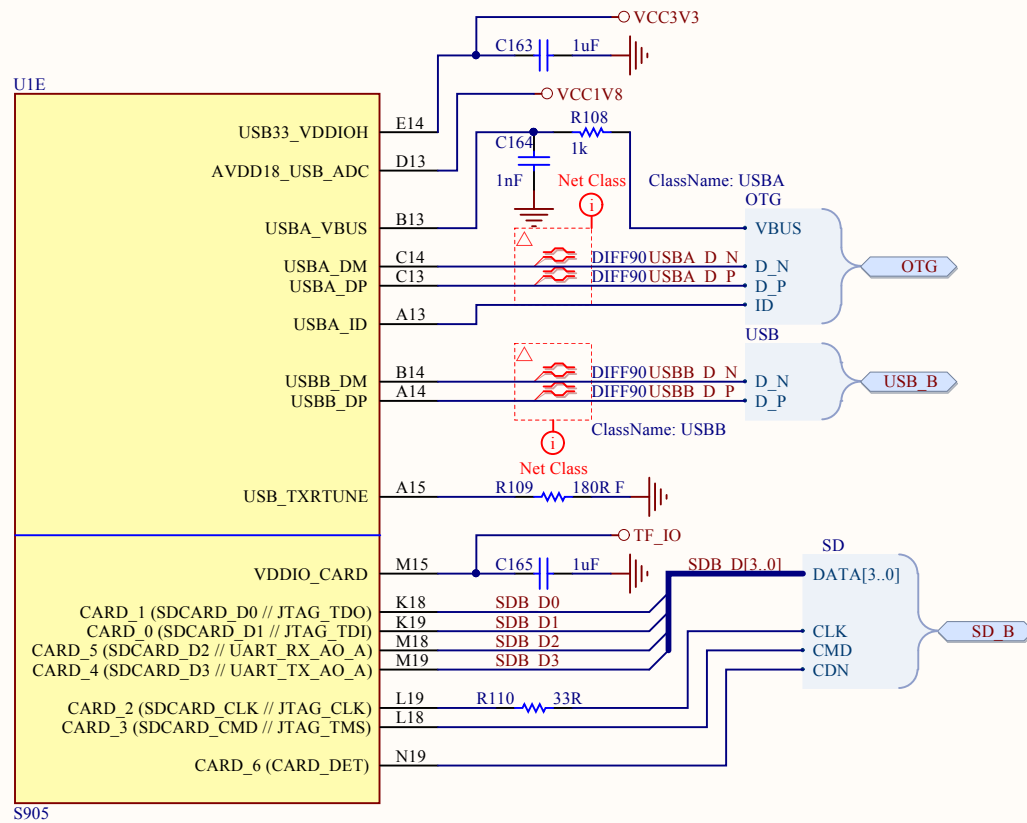
UID



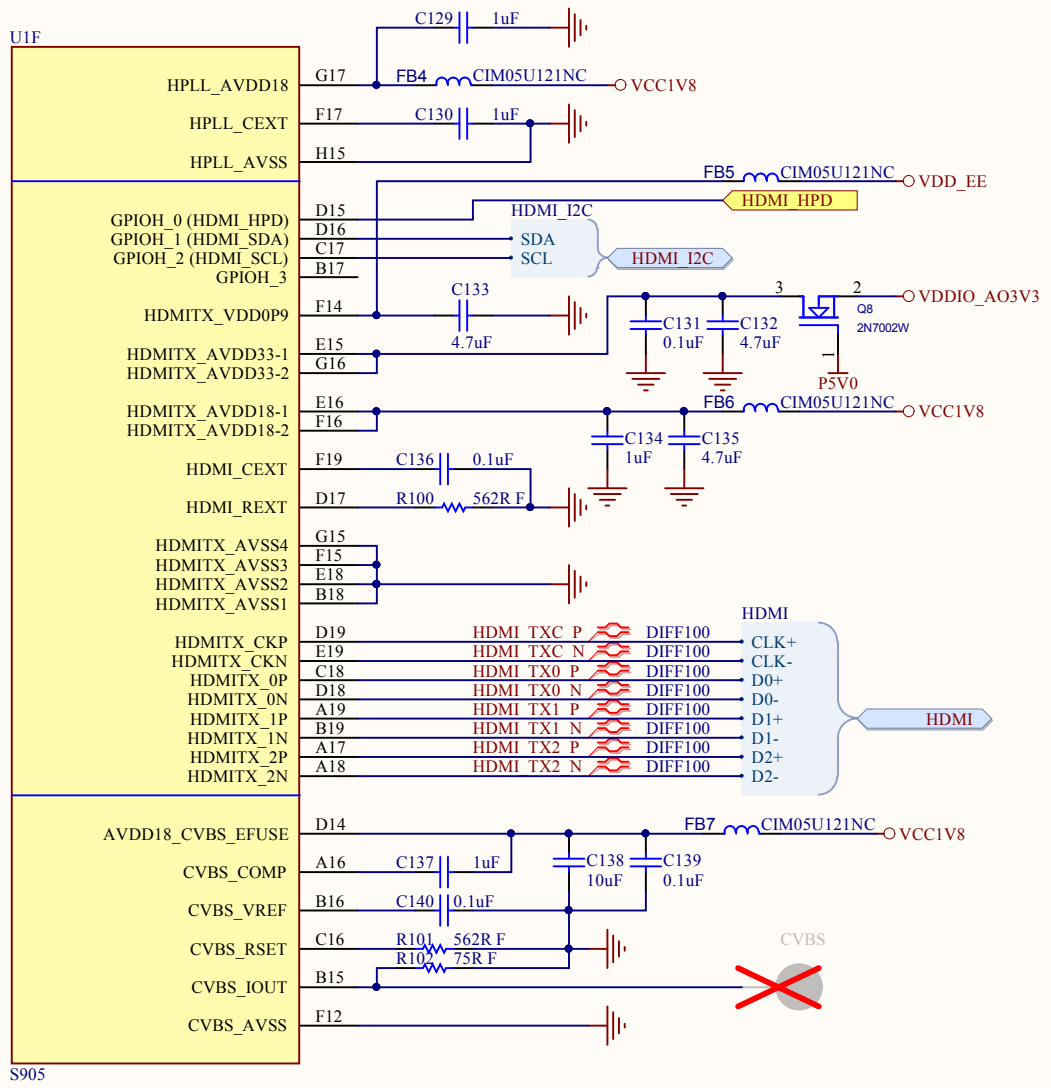
S905



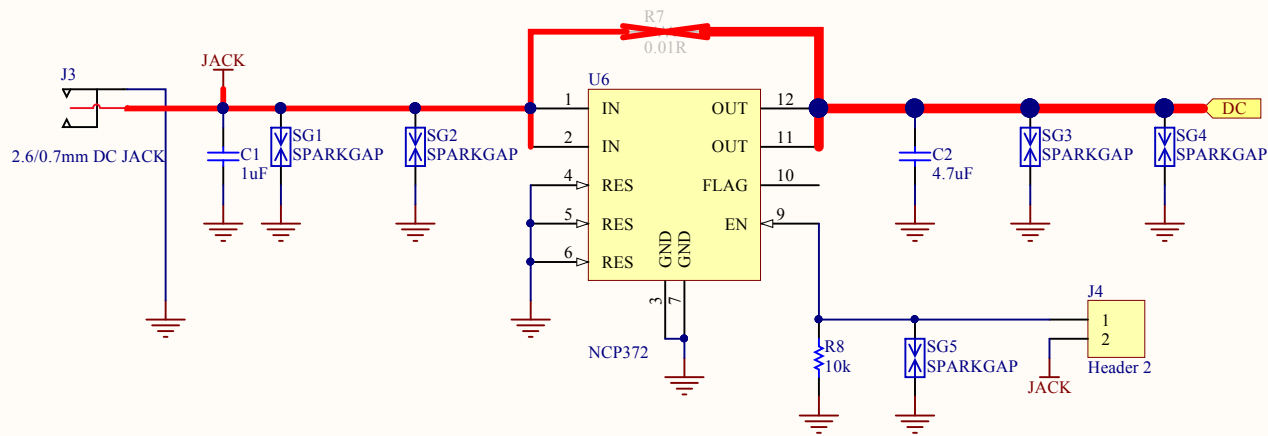
Title S805 IO2			R&D PART	
Size: A4	Number:6	Revision:0.3	704 Anyang K-center 1591-9	
Date: 2015-10-23	Time: 오후 3:47:42	Sheet6 of 26	Burim Dongan Gu	
File: S905 IO2.SchDoc			Gyeonggido	
			South Korea	
			Designed by: ruppi.kim@hardkernel.com	



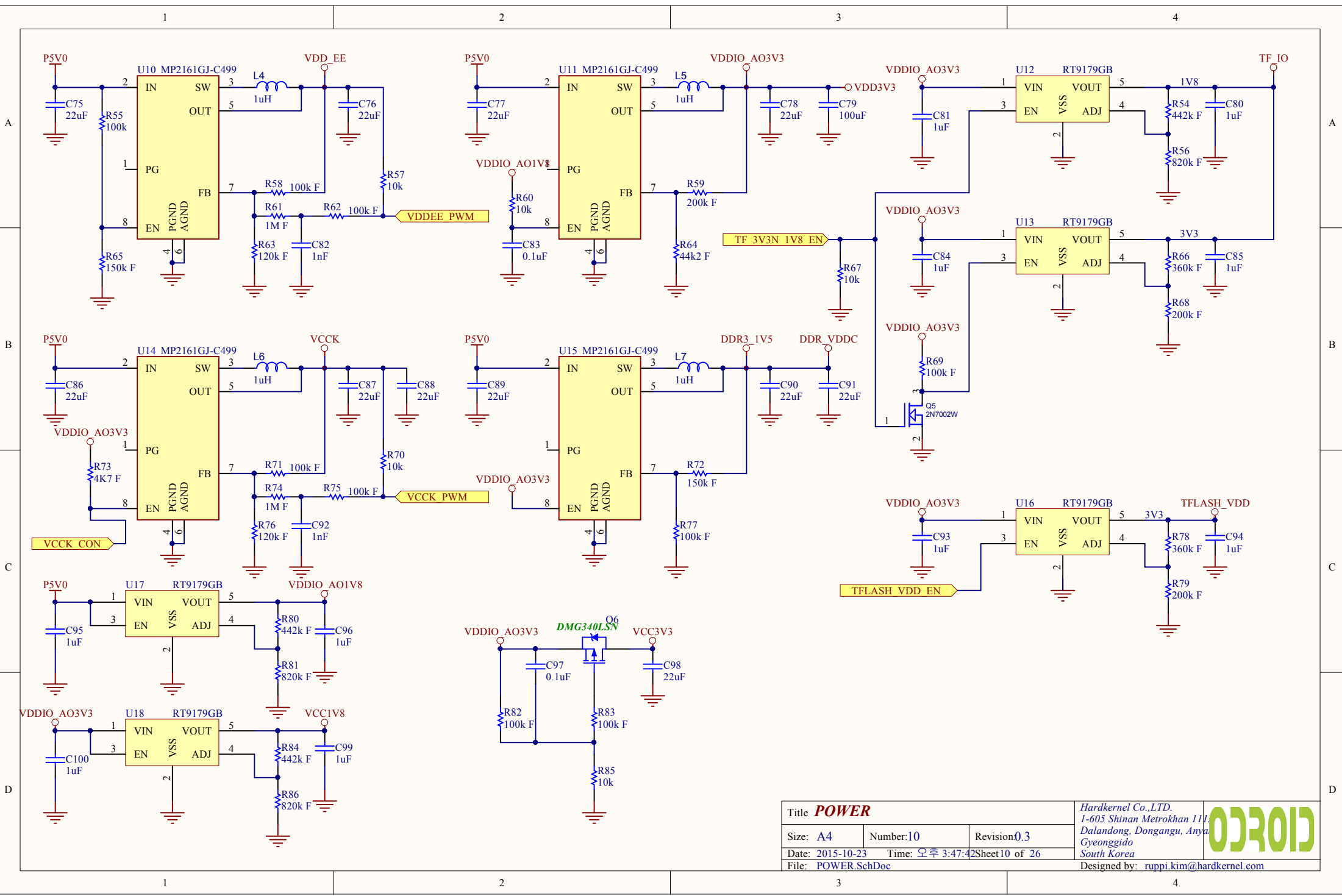
Title S805 USB2 SDB			R&D PART 704 Anyang K-center 1591-9	OSROID
Size: A4	Number:7	Revision:0.3	Burim Dongan Gu	
Date: 2015-10-23	Time: 오후 3:47:42 Sheet 7 of 26		Gyeongdo	
File: S905_USB_TFLASH.SchDoc			South Korea	
			Designed by: ruppi.kim@hardkernel.com	



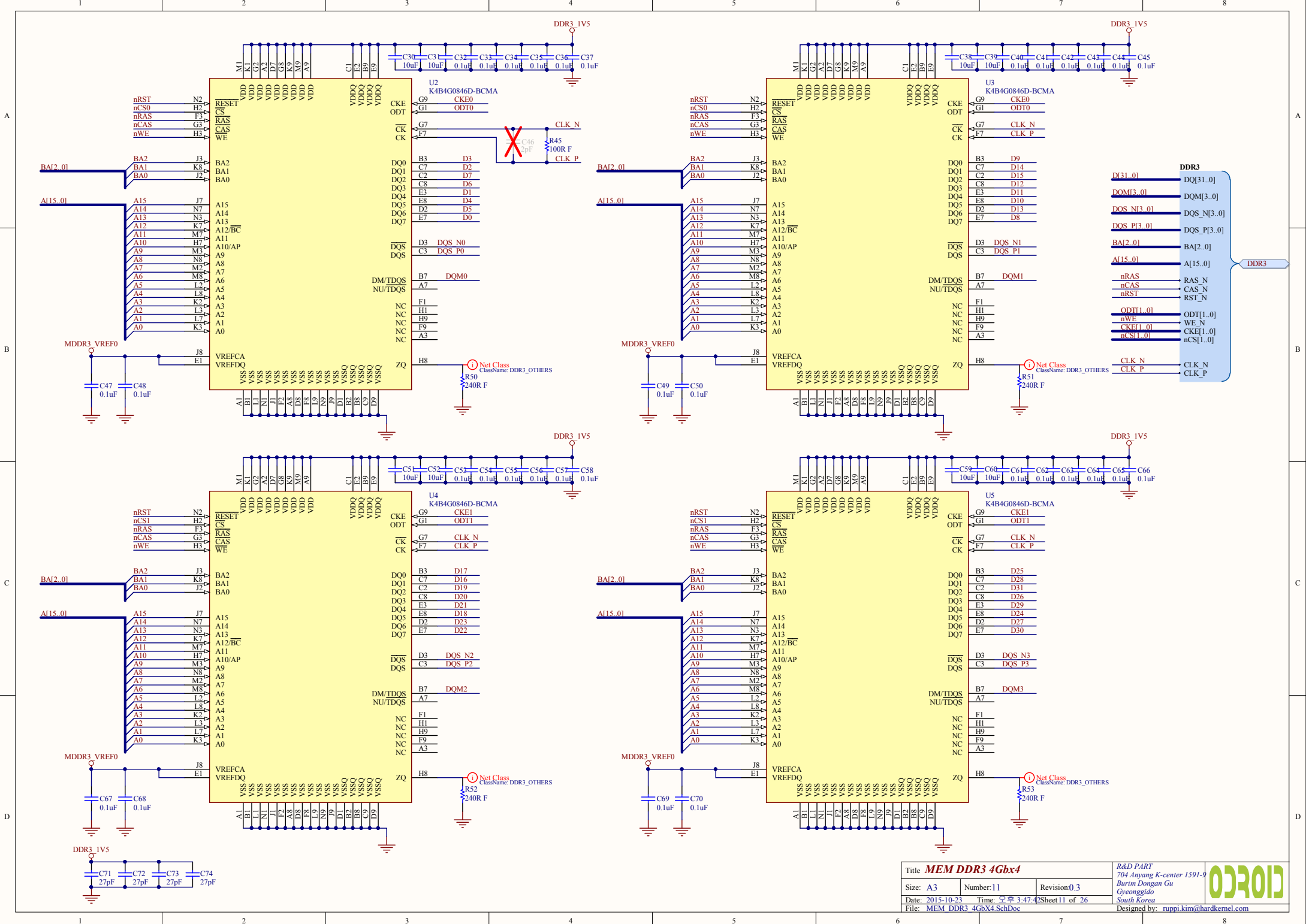
Title S805 HDMI			R&D PART	
Size: A4	Number: 8	Revision: 0.3	704 Anyang K-center 1591-9	
Date: 2015-10-23	Time: 오후 3:47:42	Sheet 8 of 26	Burim Dongan Gu	
File: S905_HDMI.SchDoc			Gyeonggido	
			South Korea	
			Designed by: ruppi.kim@hardkernel.com	

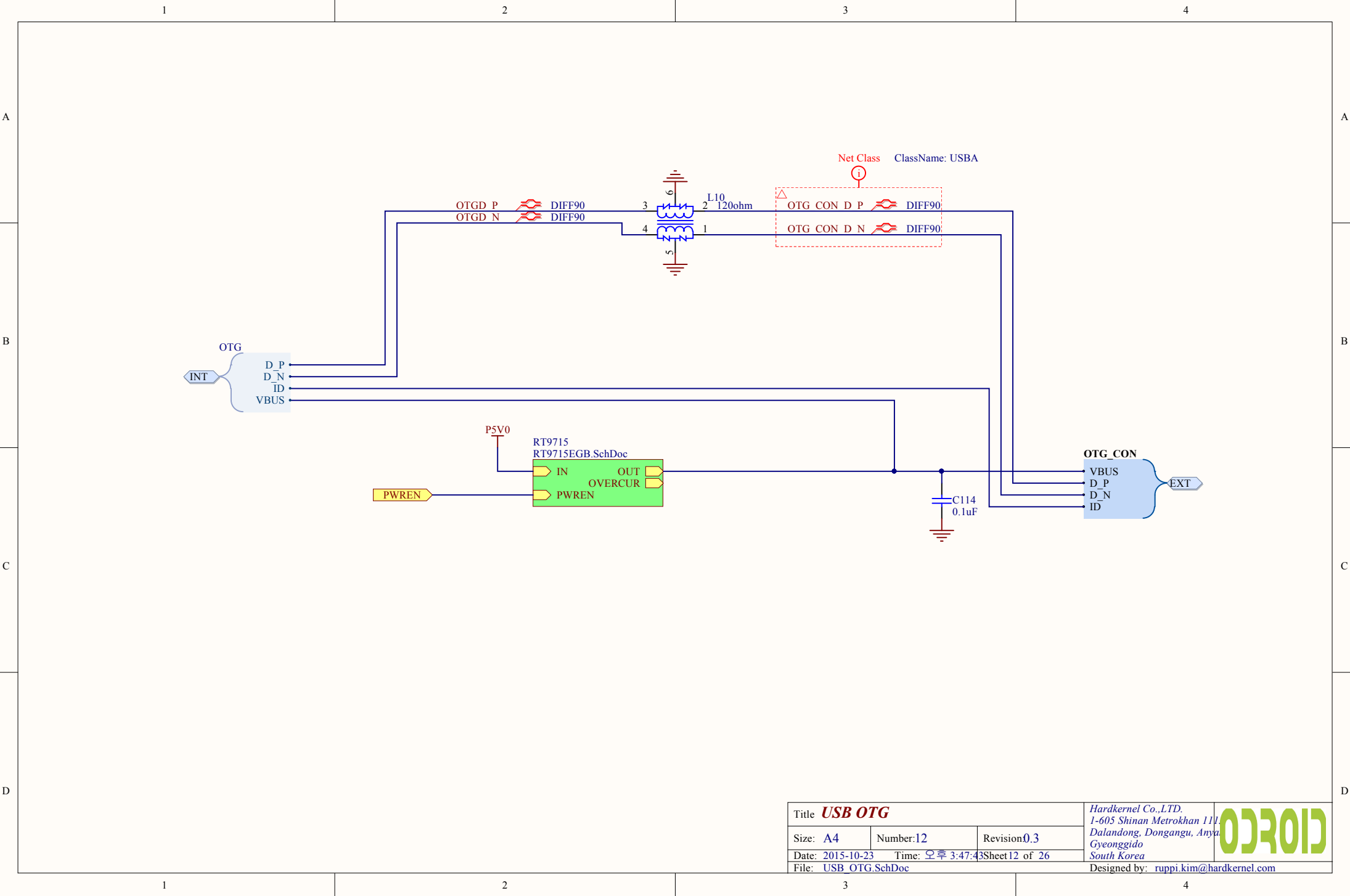


Title DC Jack			Hardkernel Co.,LTD. 704 Anyang K-center 1591-9 Burim, Dongangu, Anyang Gyeonggido South Korea	
Size: A4	Number:9	Revision:0.3		
Date: 2015-10-23	Time: 오후 3:47:42 Sheet 9 of 26		Designed by: ruppi.kim@hardkernel.com	
File: CON_DCJACK.SchDoc				



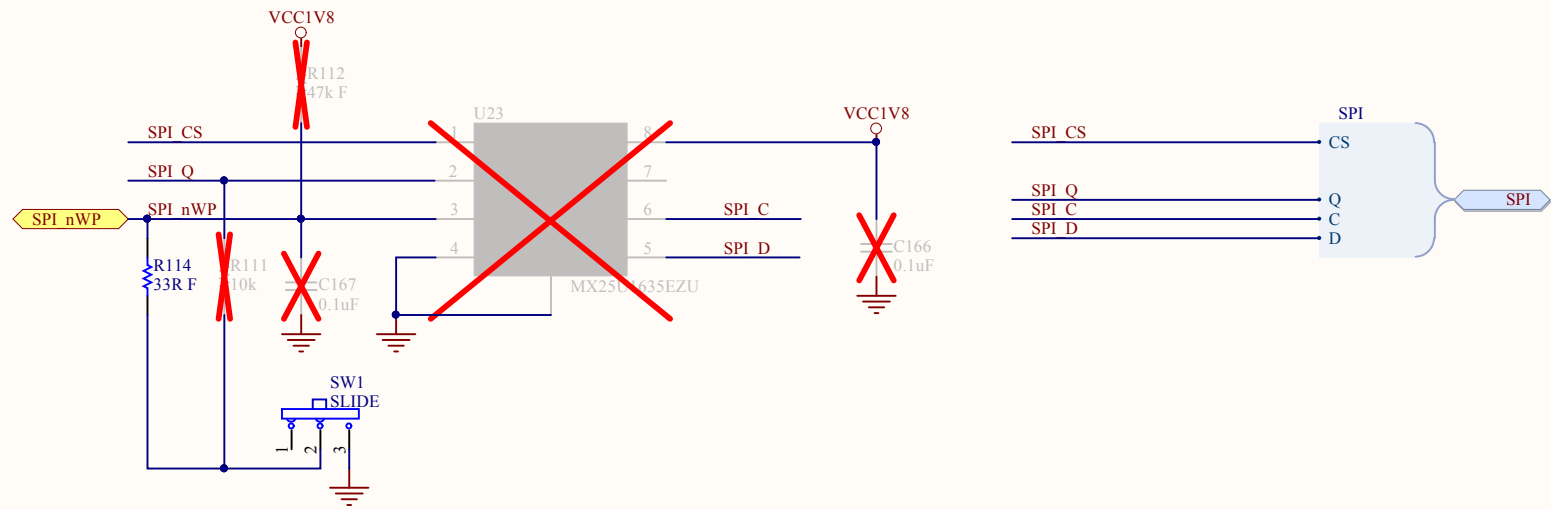
Title POWER			Hardkernel Co.,LTD. 1-605 Shinan Metrokhan 111, Dalandong, Dongangu, Anya Gyeonggido South Korea	
Size: A4	Number:10	Revision:0.3		
Date: 2015-10-23	Time: 오후 3:47:42	Sheet 10 of 26	Designed by: ruppi.kim@hardkernel.com	
File: POWER.SchDoc				




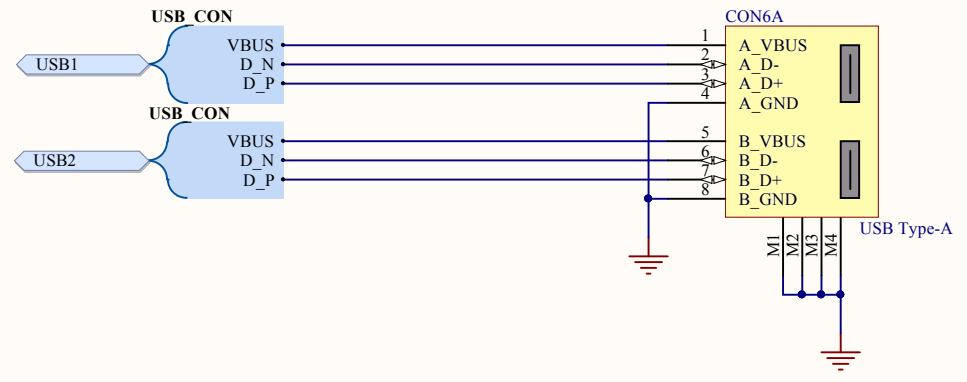



Title USB OTG			Hardkernel Co.,LTD. 1-605 Shinan Metrokhan 111 Dalandong, Dongangu, Anyang Gyeonggido South Korea Designed by: ruppi.kim@hardkernel.com
Size: A4	Number:12	Revision0.3	
Date: 2015-10-23	Time: 오후 3:47:43	Sheet 12 of 26	
File: USB_OTG.SchDoc			

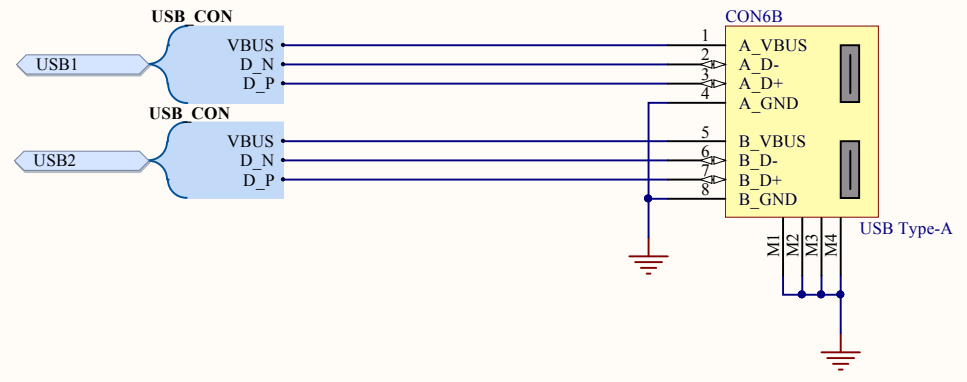




Title Memory SPI Flash 16Mbit			Hardkernel Co.,LTD. 1-605 Shinan Metrokhan 111, Dalandong, Dongangu, Anyang Gyeonggido South Korea	
Size: A4	Number:13	Revision:0.3		
Date: 2015-10-23	Time: 오후 3:47:43 Sheet 13 of 26		Designed by: ruppi.kim@hardkernel.com	
File: MEM_SPI_FLASH.SchDoc				

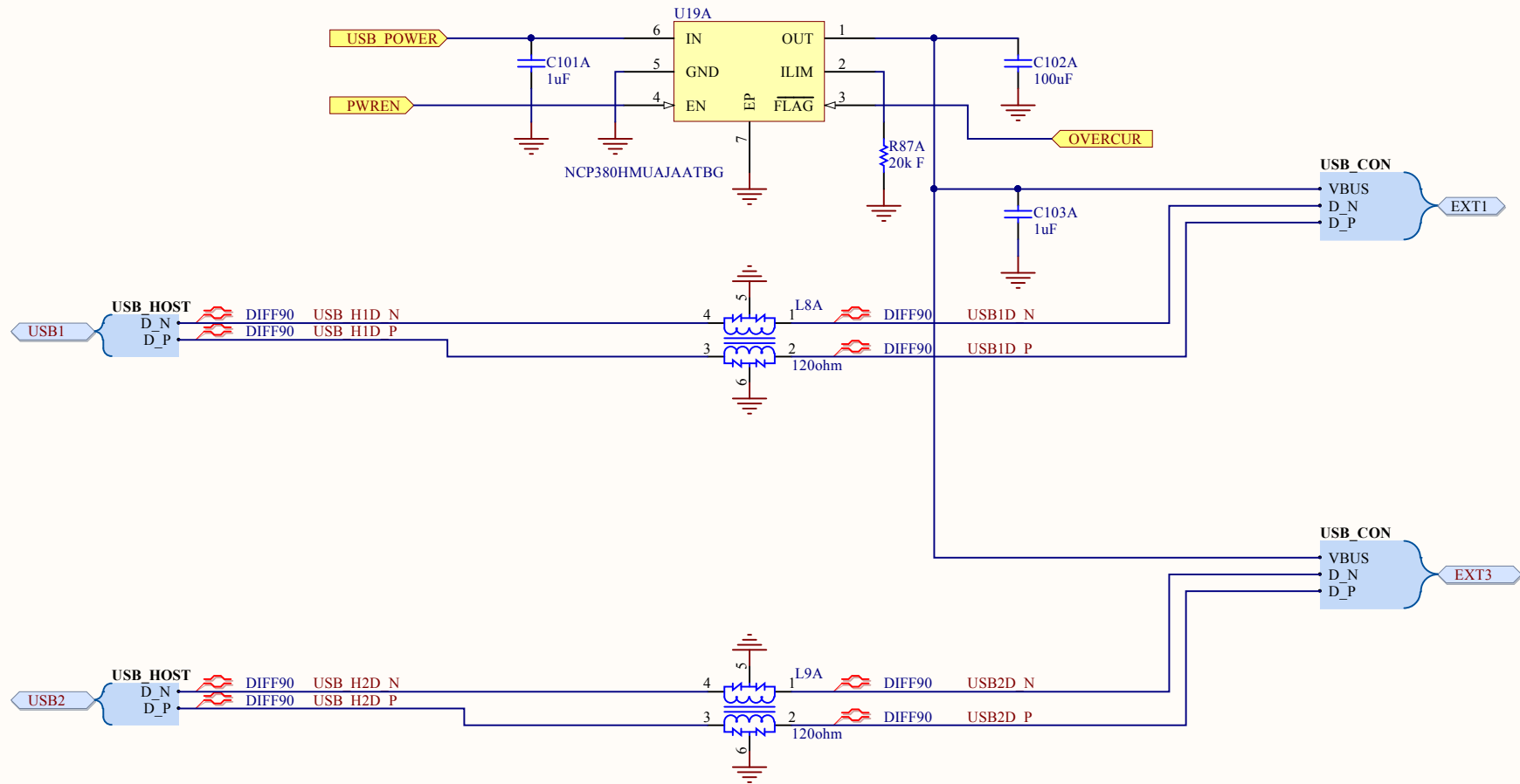


Title USB 2.0 Type A Connector			Hardkernel Co.,LTD. 1-605 Shinan Metrokhan 111, Dalandong, Dongangu, Anyang Gyeonggido South Korea	
Size: A4	Number:13	Revision:0.3		
Date: 2015-10-23	Time: 오후 3:47:43 Sheet 13 of 26		Designed by: ruppi.kim@hardkernel.com	
File: CON_USB_RA.SchDoc				



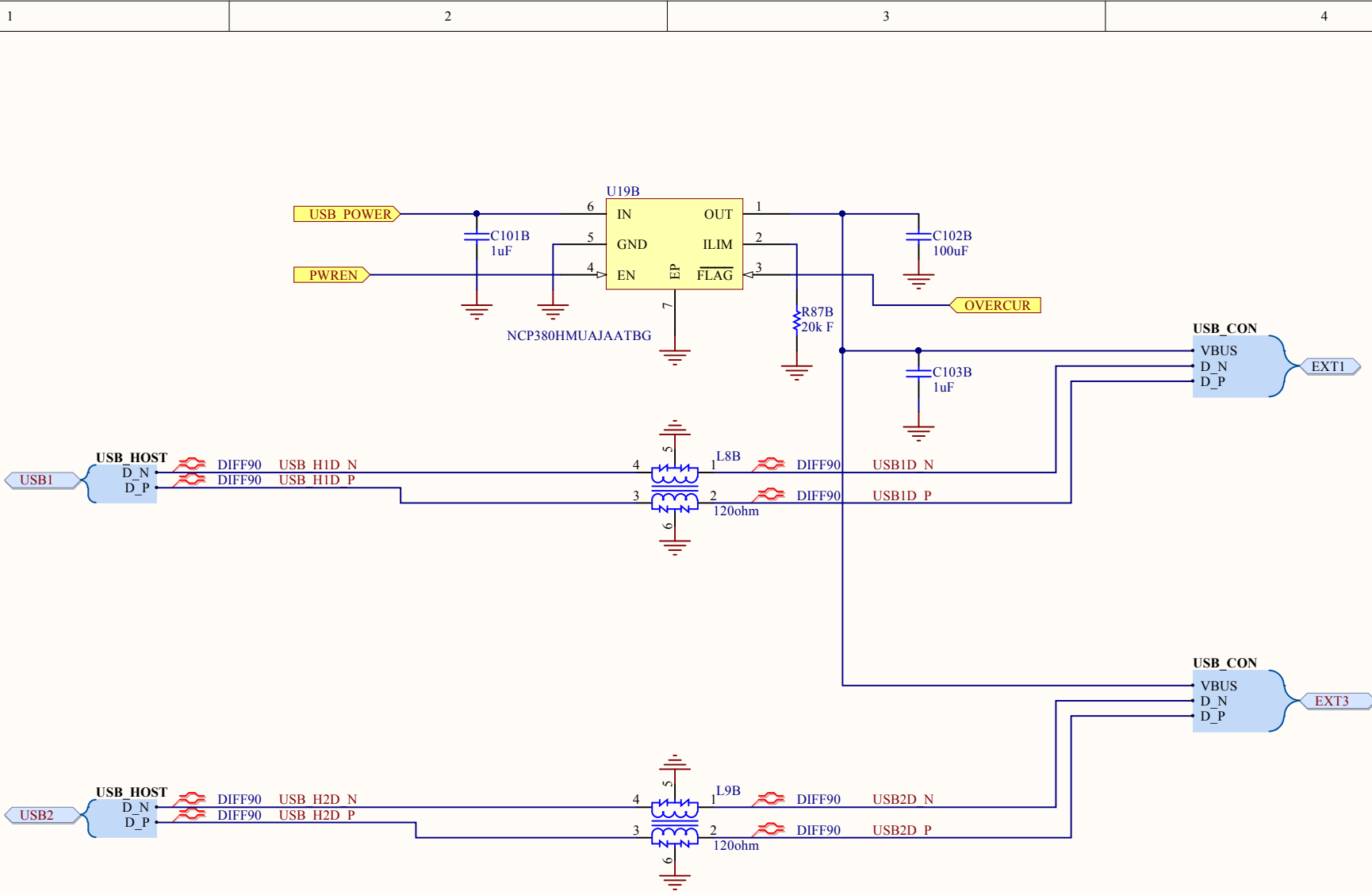
Title USB 2.0 Type A Connector		Hardkernel Co.,LTD. 1-605 Shinan Metrokhan 111, Dalandong, Dongangu, Anyang, Gyeonggido South Korea	
Size: A4	Number:13	Revision:0.3	
Date: 2015-10-23	Time: 오후 3:47:43 Sheet 13 of 26		
File: CON_USB_RA.SchDoc	Designed by: ruppi.kim@hardkernel.com		





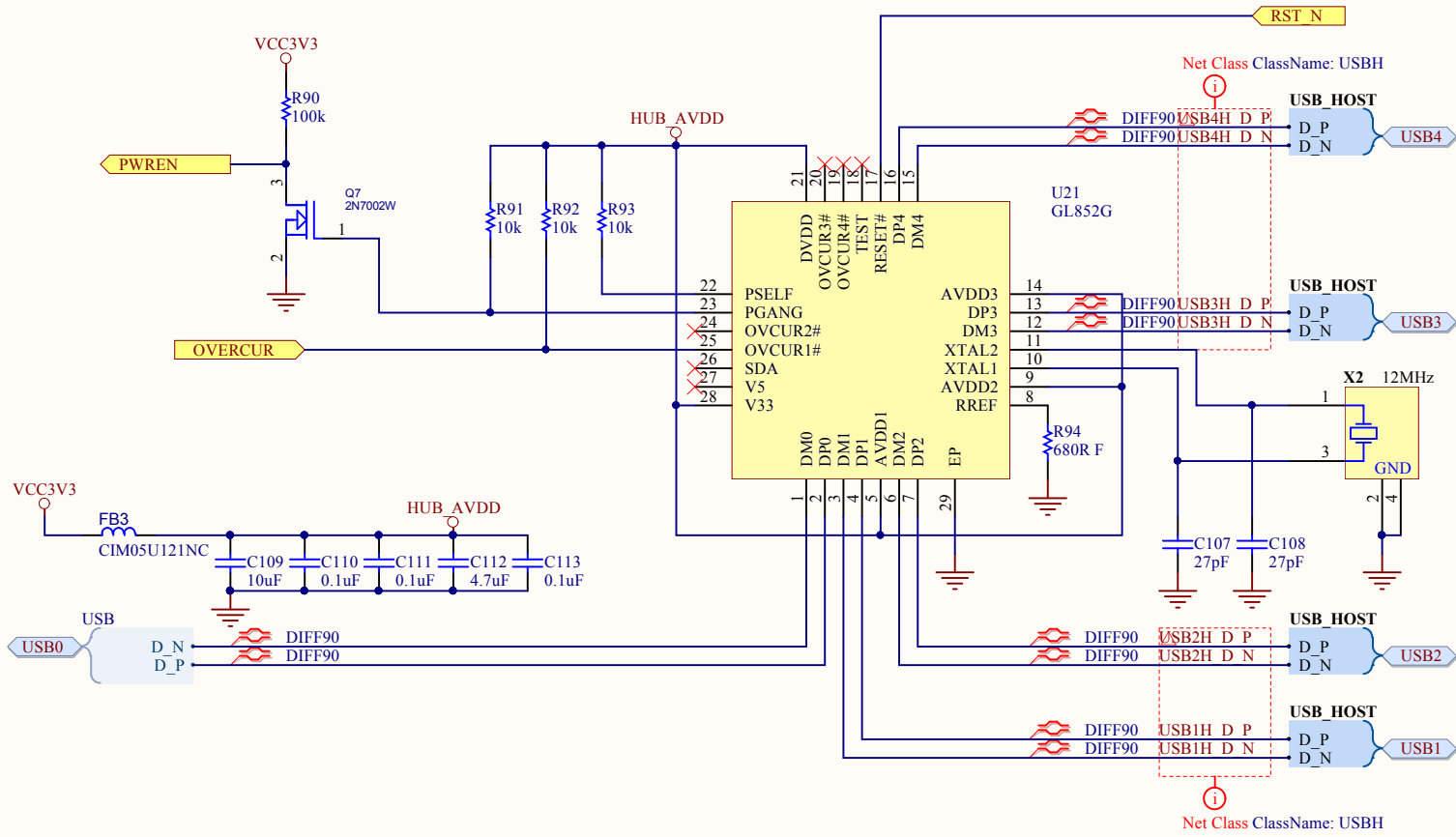
Title USB HOST PWR SW		Hardkernel Co.,LTD. 1-605 Shinan Metrokhan 111, Dalandong, Dongangu, Anya Gyeonggido South Korea	
Size: A4	Number:14	Revision0.3	
Date: 2015-10-23	Time: 오후 3:47:43	Sheet 14 of 26	
File: USB_HOST_PWR_SW.SchDoc		Designed by: ruppi.kim@hardkernel.com	





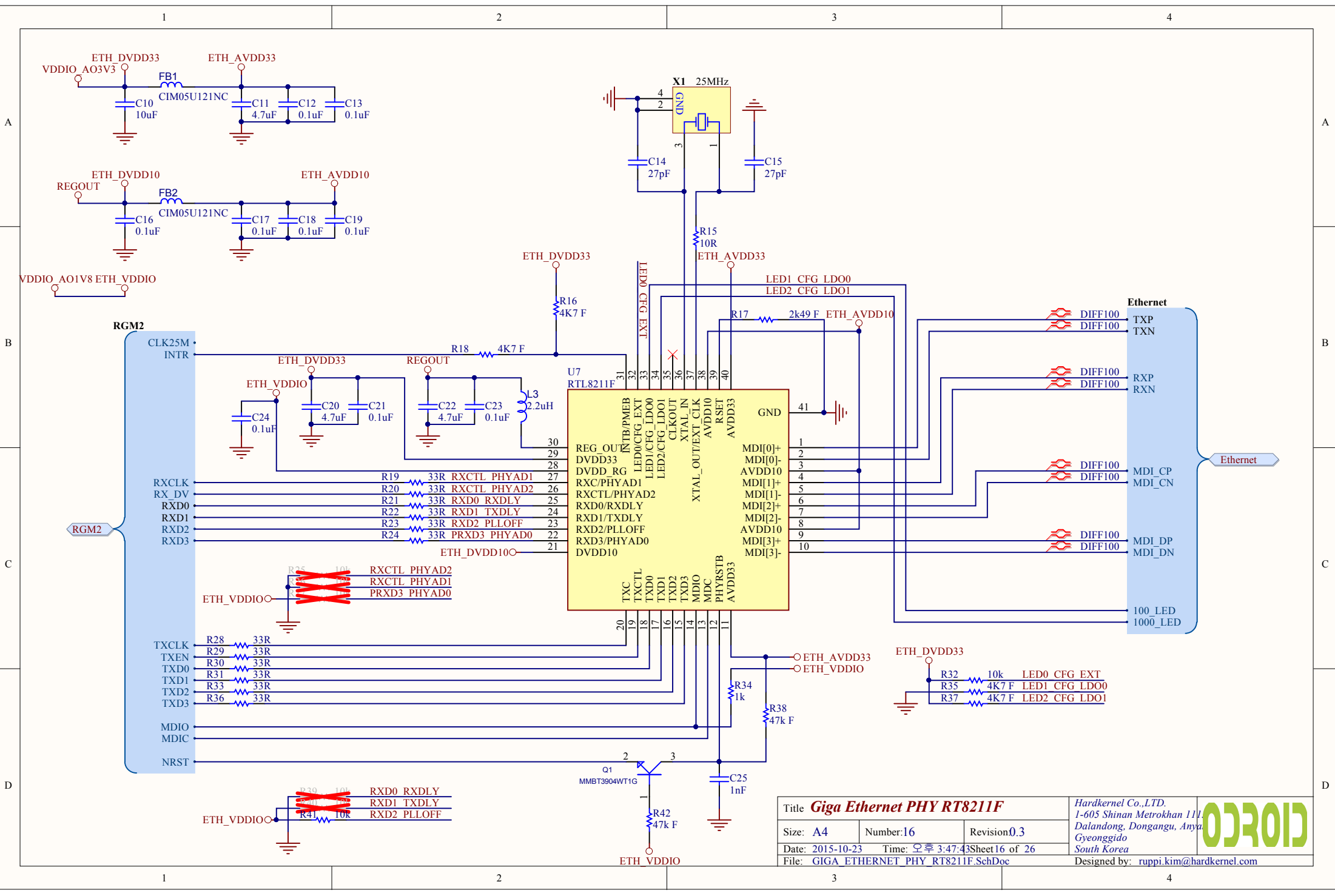
Title USB HOST PWR SW		Hardkernel Co.,LTD. 1-605 Shinan Metrokhan 111, Dalandong, Dongangu, Anya Gyeonggido South Korea	
Size: A4	Number:14	Revision:0.3	
Date: 2015-10-23	Time: 오후 3:47:43	Sheet 14 of 26	
File: USB_HOST_PWR_SW.SchDoc		Designed by: ruppi.kim@hardkernel.com	




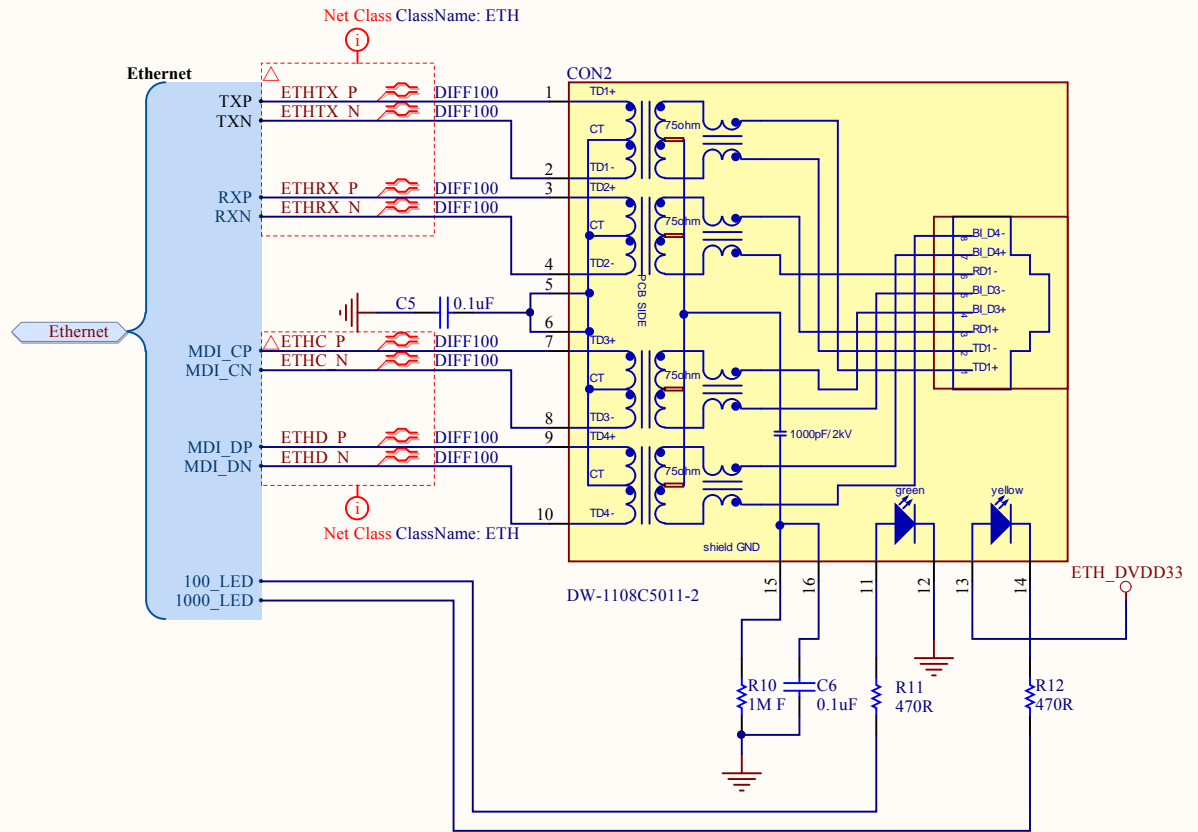


Title USB HUB GL852G-OHG			Hardkernel Co.,LTD. 1-605 Shinan Metrokhan 111 Dalandong, Dongangu, Anya Gyeonggido South Korea Designed by: ruppi.kim@hardkernel.com
Size: A4	Number:15	Revision:0.3	
Date: 2015-10-23	Time: 오후 3:47:43	Sheet 15 of 26	
File: USB_HUB_GL852G-OHG.SchDoc			

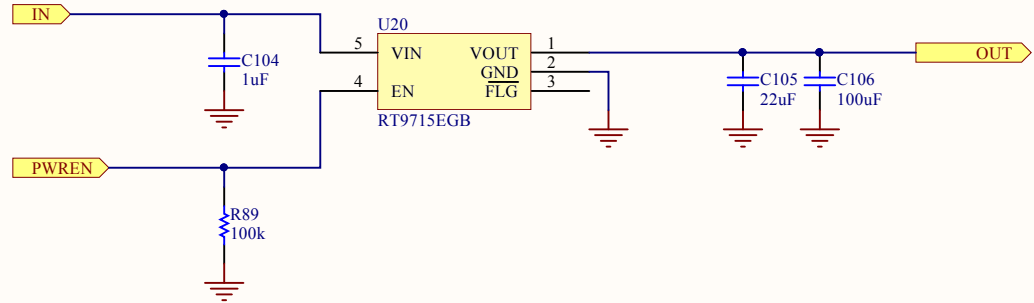




Title Giga Ethernet PHY RT8211F			Hardkernel Co.,LTD. 1-605 Shinan Metrokhan 111, Dalandong, Dongangu, Anya Gyeonggido South Korea 
Size: A4	Number:16	Revision:0.3	
Date: 2015-10-23	Time: 오후 3:47:43	Sheet 16 of 26	
File: GIGA_ETHERNET_PHY_RT8211F.SchDoc			
Designed by: ruppi.kim@hardkernel.com			



Title Giga Ethernet			Hardkernel Co.,LTD. 704 Anyang K-center 1591-9 Burim, Dongangu, Anyang Gyeongido South Korea	
Size: A4	Number:17	Revision:0.3		
Date: 2015-10-23	Time: 오후 3:47:43 Sheet 17 of 26		Designed by: ruppi.kim@hardkernel.com	
File: CON_GIGA_ETH.SchDoc				



Title USB HOST Power Switch			Hardkernel Co.,LTD. 704 Anyang K-center 1591-9 Burim, Dongangu, Anyang Gyeonggido South Korea	
Size: A4	Number:18	Revision:0.3		
Date: 2015-10-23	Time: 오후 3:47:43 Sheet 18 of 26			
File: RT9715EGB.SchDoc			Designed by: ruppi.kim@hardkernel.com	

1

2

3

4

A

A

B

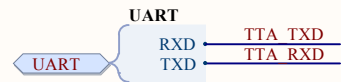
B


C

C

D

D



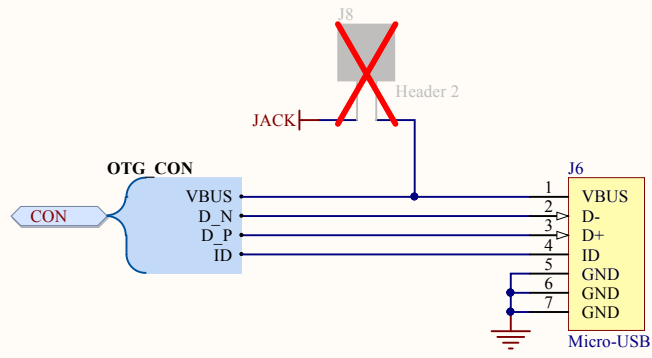
Title CON_UART			Hardkernel Co.,LTD. 704 Anyang K-center 1591-9 Burim, Dongangu, Anyang Gyeonggido South Korea 
Size: A4	Number:19	Revision0.3	
Date: 2015-10-23	Time: 오후 3:47:43 Sheet 19 of 26		
File: CON_UART.SchDoc			
Designed by: ruppi.kim@hardkernel.com			

1

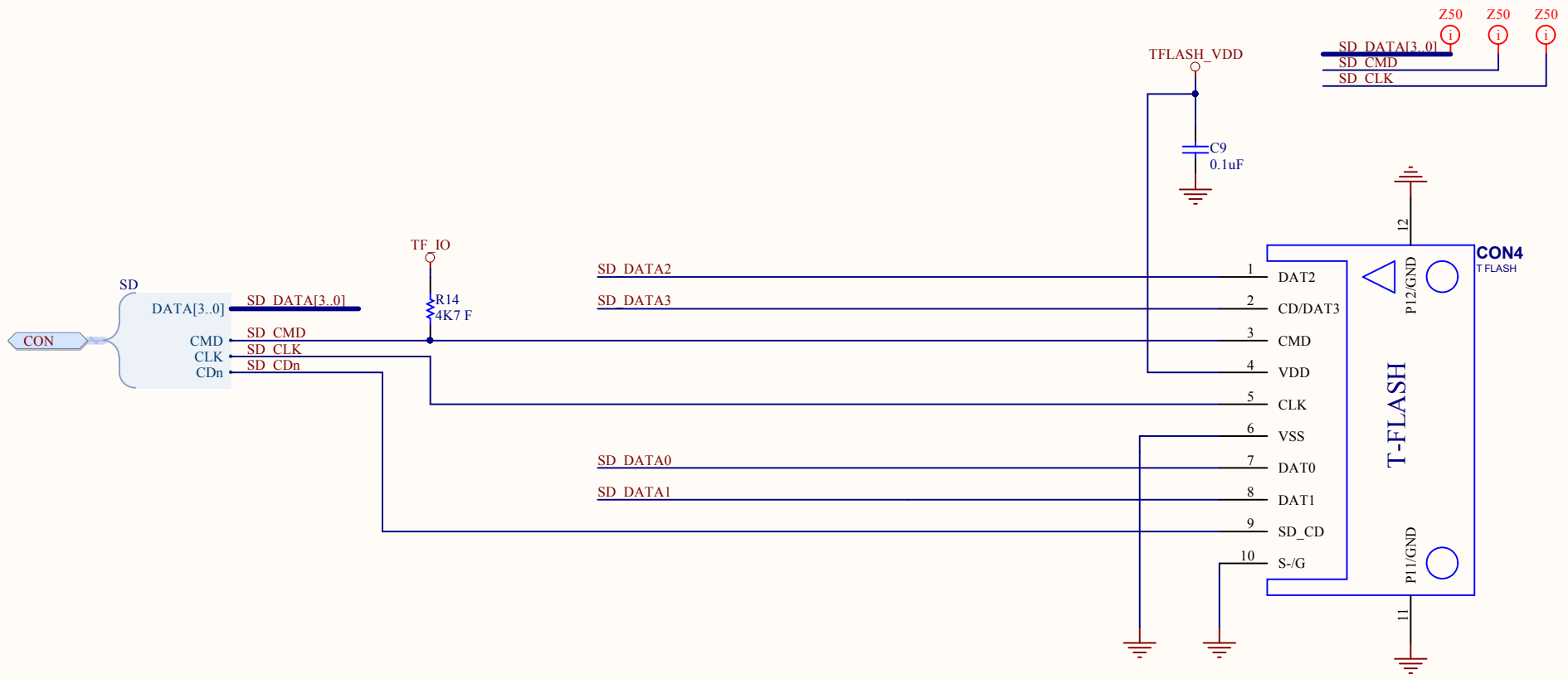
2

3

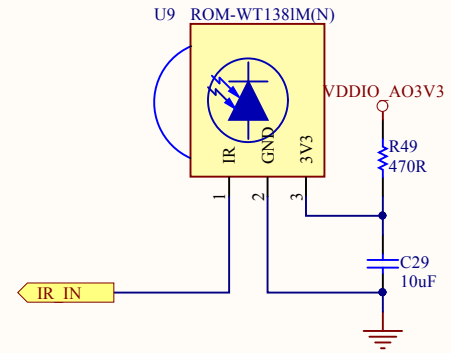
4



Title Micro USB Connector			Hardkernel Co.,LTD. 704 Anyang K-center 1591-5 Burim, Dongangu, Anyang Kyeonggido South Korea	
Size: A4	Number:20	Revision:0.3	Designed by: ruppi.kim@hardkernel.com	
Date: 2015-10-23	Time: 오후 3:47:43 Sheet 20 of 26			
File: CON_MICROUSB.SchDoc				

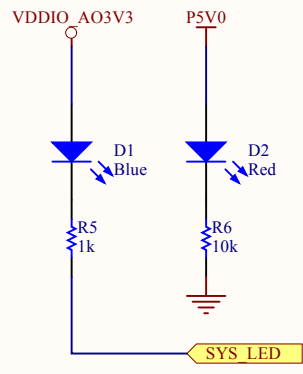



Title Micro SD Socket			Hardkernel Co.,LTD. 704 Anyang K-center 1591-9 Burim, Dongangu, Anyang Gyeonggido South Korea	
Size: A4	Number:21	Revision:0.3		
Date: 2015-10-23	Time: 오후 3:47:43 Sheet 21 of 26		Designed by: ruppi.kim@hardkernel.com	
File: CON_MICROSD_HD08-AL00335.SchDoc				

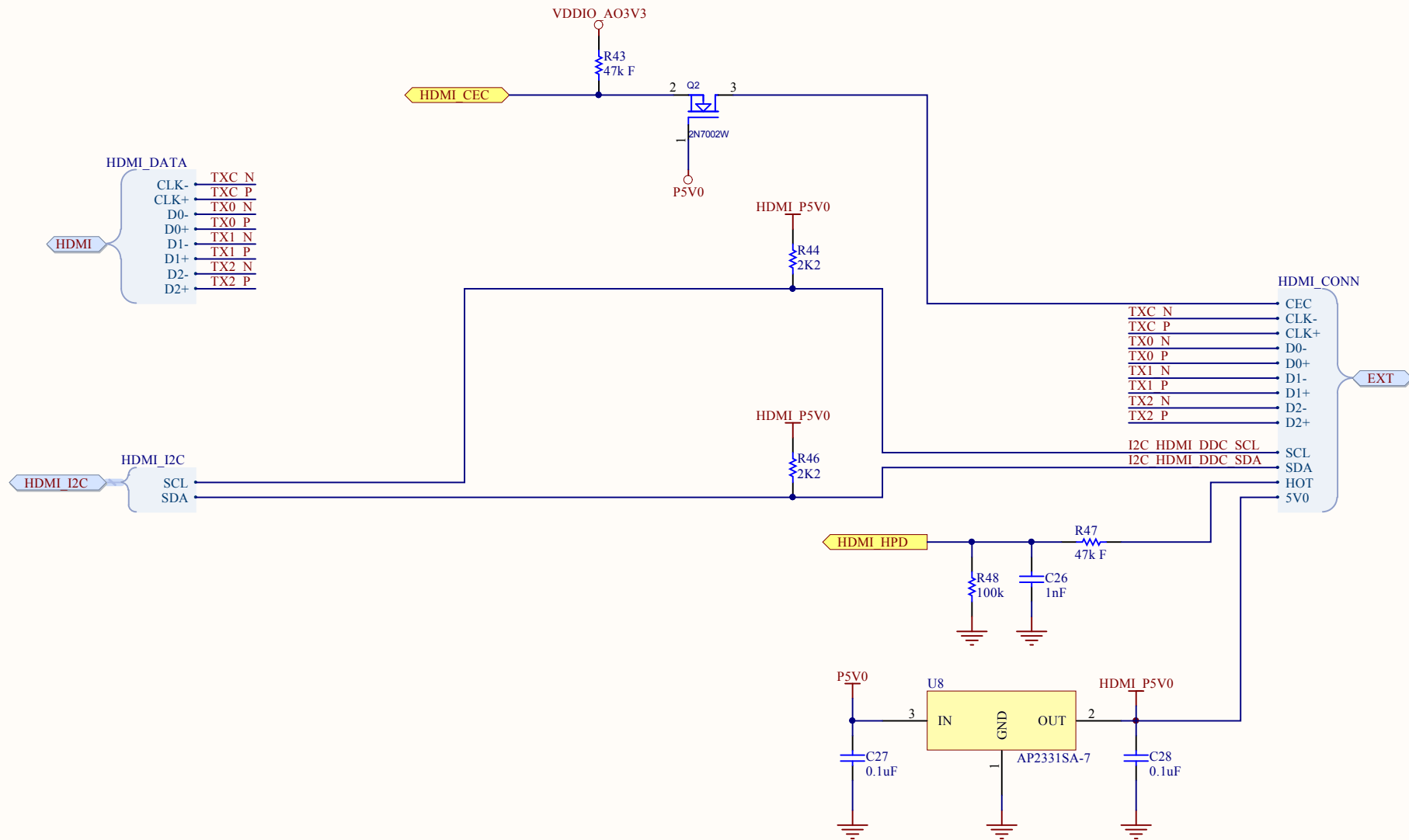


Title Remote Control Receiver			Hardkernel Co.,LTD. 1-605 Shinan Metrokhan 111, Dalandong, Dongangu, Anyang, Gyeonggido South Korea Designed by: ruppi.kim@hardkernel.com
Size: A4	Number:22	Revision:0.3	
Date: 2015-10-23	Time: 오후 3:47:43 Sheet 22 of 26		
File: IR.SchDoc			



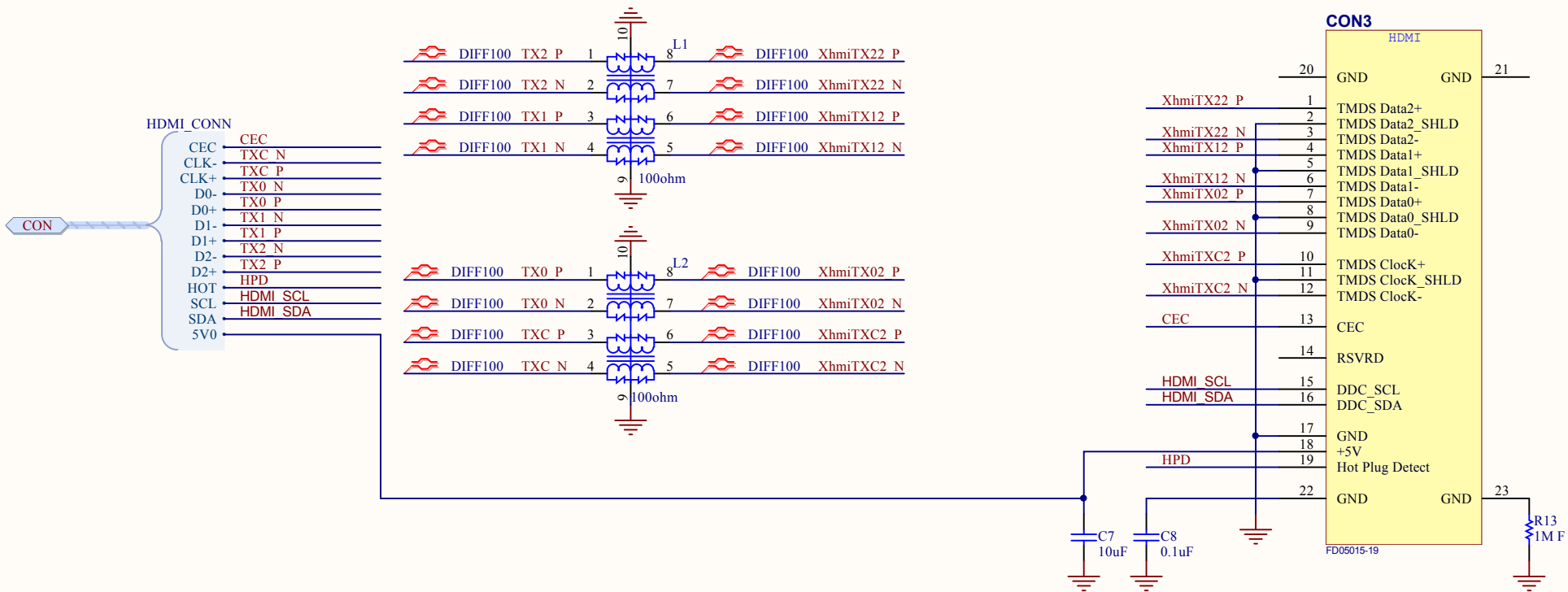


Title LEDs			Hardkernel Co.,LTD. 704 Anyang K-center 1591-9 Burim Dongan Gu Gyeongido South Korea	
Size: A4	Number:23	Revision:0.3		
Date: 2015-10-23 Time: 오후 3:47:43 Sheet 23 of 26			Designed by: ruppi.kim@hardkernel.com	
File: C_LEDS.SchDoc				

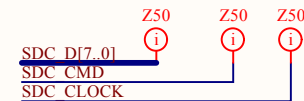
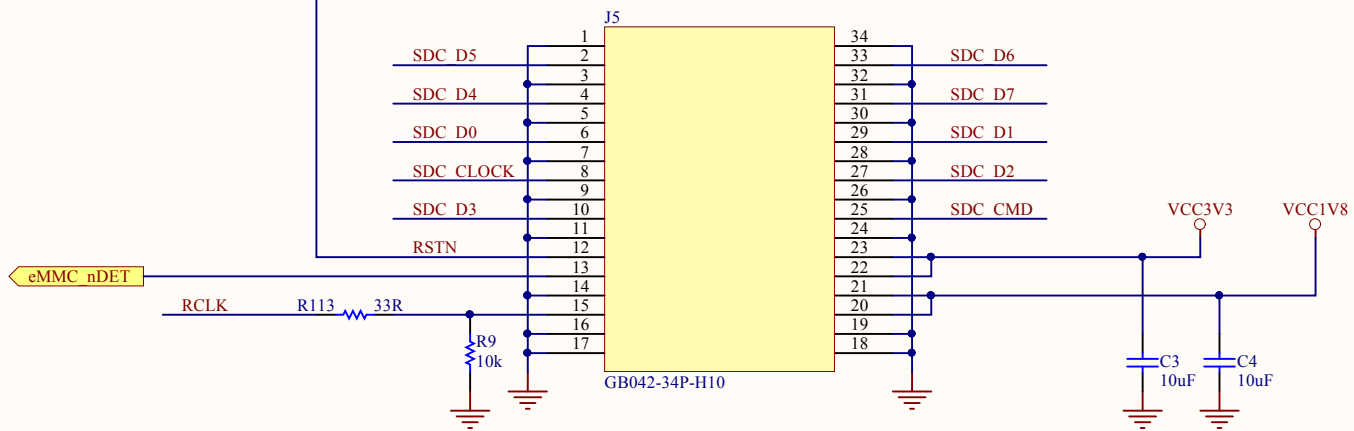
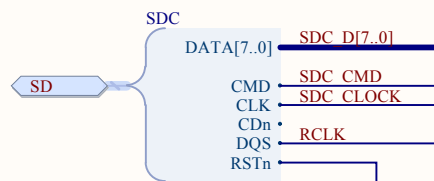


Title HDMI 2C			Hardkernel Co.,LTD. 704 Anyang K-center 1591-5 Burim, Dongangu, Anyang Kyeonggido South Korea Designed by: ruppi.kim@hardkernel.com
Size: A4	Number:24	Revision:0.3	
Date: 2015-10-23	Time: 오후 3:47:43	Sheet 24 of 26	
File: HDMI_I2C.SchDoc			





Title HDMI Connector			Hardkernel Co.,LTD. 704 Anyang K-center 1591-5 Burim, Dongangu, Anyang Kyeonggido South Korea	
Size: A4	Number:25	Revision:0.3		
Date: 2015-10-23	Time: 오후 3:47:43	Sheet 25 of 26	Designed by: ruppi.kim@hardkernel.com	
File: CON_HDMI.SchDoc				



Title CON_EMMC			Hardkernel Co.,LTD. 704 Anyang K-center 1591-9 Burim Dongan Gu Gyeonggido South Korea	
Size: A4	Number:26	Revision:0.3		
Date: 2015-10-23	Time: 오후 3:47:43 Sheet 26 of 26		Designed by: ruppi.kim@hardkernel.com	
File: CON_EMMC.SchDoc				